

GORILLA AUDIO HANDSET

Works with any A/V system

"It's a Headphone on a Stick"

- Ideal for:
 - Video Soundtracks
 - Computer Kiosks
 - Trade Shows
 - Museum Exhibits
 - Theaters
- Fulfills ADA Requirements
- Maintenance Free
- Easy To Clean
- Works with Video and Audio Players, DVDs, CD Audio
- Superior Fidelity
- Ant-Theft Security Lanyard
- Simple Installation
- Hearing-Aid Compatible
- Multiple Colors Available



The Gorilla Audio Handset is precision engineered to complete virtually any audio or video playback system. In front of a video monitor, at a computer kiosk, or at an audio listening station, it's the perfect choice. It works well with anything with a soundtrack or an audio output.

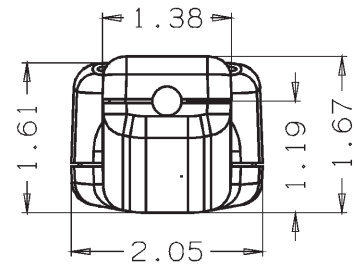
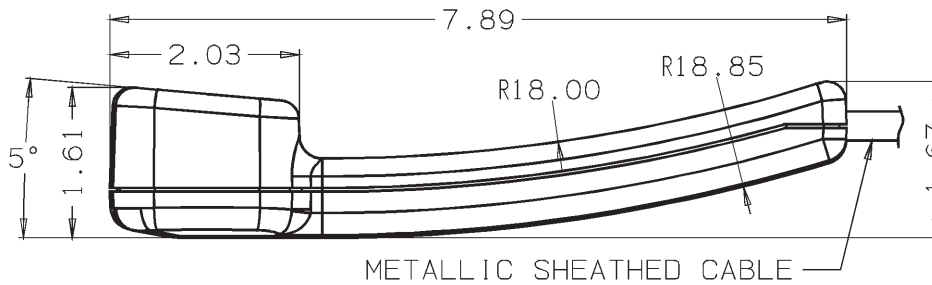
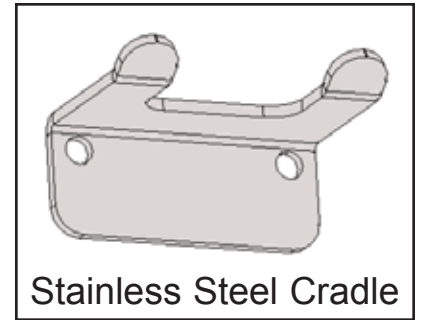
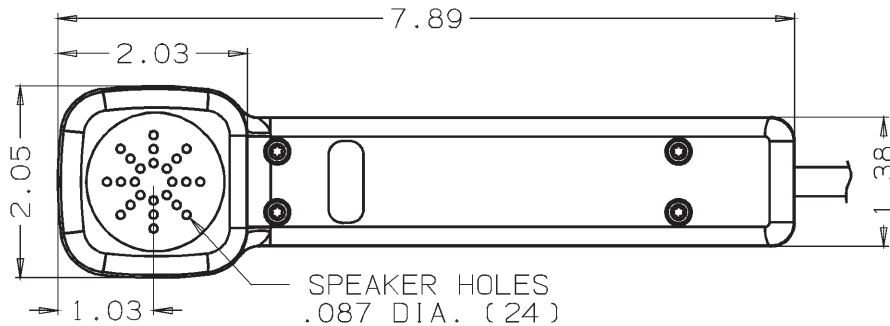
Multiple handsets? The simple 2-wire interface makes installation easy, even for large theaters and gatherings needing several units. The versatile design can be customized to fit any application.

When regular speakers just can't do the job, the Gorilla Audio Handset it gets the message across - plain and simple.

MAKING AUDIO EASY...

The Gorilla Audio Handset

Technical Specifications

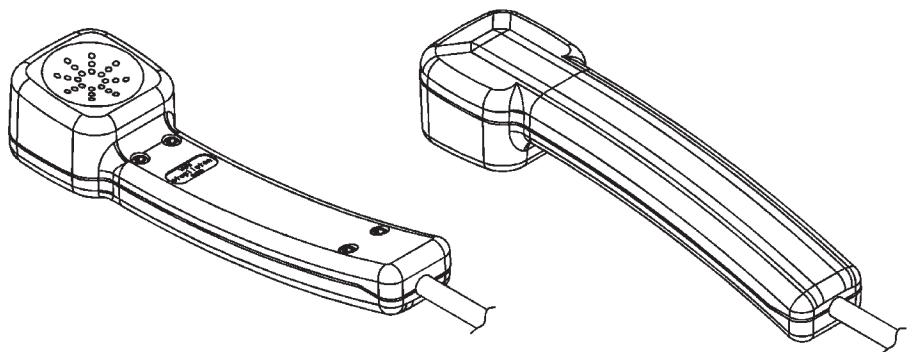


- Lexan PC - PET Alloy Construction
- Full Frequency Response 50Hz - 20KHz
- 32 Ohm Input Impedance
- 30mW Nominal Input Power (Max 70mW)
- 40" square-locked Stainless Steel Cable
- Hygienic and Easy to Clean
- Includes Cradle, Cord Mount, Terminal Block

- Simple Two Wire Connection
- Universal Stainless Steel Cradle
- Mylar Driver Element
- Neodymium Iron Boron (NdFeB) Magnet
- 500 lb. Aircraft Steel Anti-theft Lanyard
- Water Resistant Materials/Construction
- Hearing Aid Compatible / ADA



Available In A Variety of Colors



**SIGNAL
INNOVA**